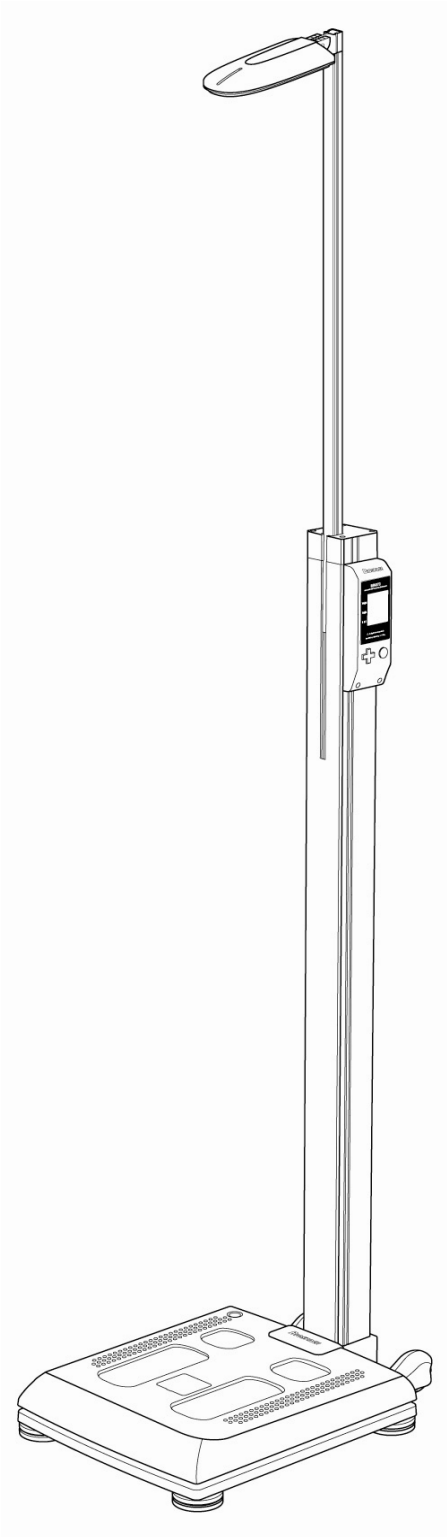


BSM370



BSM370 USER'S MANUAL

Thank you for purchasing the BSM370 automatic BMI measuring stadiometer.
Please read manual prior to use and operate with care.

InBody

1996- InBody Co., Ltd. All rights reserved.

Notice

This user's manual cannot be copied, translated or transformed into different media without a prior written consent from InBody Co., Ltd, according to the copyright laws. This user's manual and product pertinent to this manual may have misprints or technical flaws, which can be modified without prior notice to the readers. InBody is not liable for any damage caused by failure to meet the requirements in this user's manual.

InBody Co., Ltd. [HEAD OFFICE]

InBody Bldg., 54, Nonhyeon-ro 2-gil, Gangnam-gu, Seoul 135-960 KOREA

TEL: +82-2-501-3939 FAX: +82-2-578-2716

Website: <http://www.inbody.com>

E-mail: info@inbody.com

Acknowledgements

InBody, Lookin' Body are the registered trademarks of InBody Co., Ltd.

The names of the companies and products in this manual other than those of InBody Co., Ltd. are the trademarks of the companies. Stating the products of other companies is strictly for the purpose of providing information, and not to guarantee or recommend the products. InBody is not responsible for the performance or the use of these products.

InBody reserves the right to modify the dimensions or exterior of the BSM370 to improve the quality of the product, without consent of the customer.

Introducing the BSM370

Thank you for purchasing this BSM series device. The BSM series is a sophisticated product line developed by InBody Co., Ltd.

This product measures personal weight and height, **thereby calculating BMI. It will help to improve health by comparing your BMI to the standards based on gender. It is also used to monitor health and fitness by observing the changes in BMI over the course of time.** It can be used in both the healthy and acute or chronically ill population. The results may be of value to health care professionals in the management of diseases or conditions in which the disease, condition, or the treatment can affect BMI measuring. It is important to preventive medicine by providing the basis for appropriate physical activity and dietary formulas improving personal daily routine. It can be also usefully applied to follow-up studies on patients treated for various diseases

With a dedication to the production of quality products and research and development, InBody remains a reliable medical equipment provider.

Kichul Cha, CEO



Contents

How to use this manual
Safety Information
Indicators & Safety Symbols
Workplace Requirements

Chapter 1 Installation & Maintenance

1. Contents of the Box	1
2. Exterior & Functions	3
3. Installation Instructions	5
4. Connecting to Optional Equipment	9
5. Transportation	15
6. Repacking	16
7. Correct Method for Transporting	18
8. Maintenance	19

Chapter 2 Management & Results Description

1. Exterior and Functions of Keypad	21
2. Connecting Power	23
3. Proper Posture	24
4. Measurement Mode	25
5. Results	28

Chapter 3 Setup Establishment

1. Setup	30
2. Setup Menu	31

Chapter 4 Problems & Solutions

1. Error Messages	33
2. Troubleshooting	34

Chapter 5 Appendix

1. Consumables	35
2. Options	36
3. Specifications	37
4. Customer Service Information	38

How to use this manual

This user's manual explains the functions of the BSM370.

Follow the instructions below for effective use.

1. Please read this manual thoroughly prior to BSM370 operation.
2. Take a few moments to review the manual of this product in order to understand configuration.
3. If you have clinical issues while using the BSM370, please contact InBody customer service.
E-mail: info@inbody.com
4. Read symbols carefully. The following are representations of these symbols.



Important information to warn of situations which might cause major injury and/or damage to property if instructions are not carefully followed.



Important information to warn of situations which might cause minor injury and/or damage to property if instructions are not carefully followed.



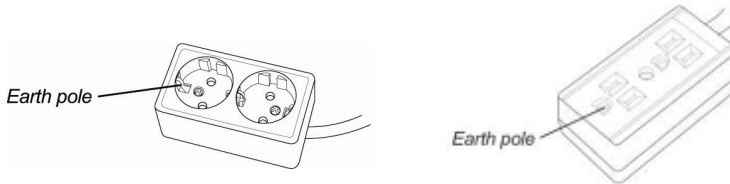
Important and helpful information for operation.

Safety Information



WARNING

1. This product should always be placed on the ground and plugged into a secure electrical outlet.



2. Physically disabled persons or children should receive assistance when measuring on the BSM370 in order to obtain accurate results and avoid injury.

3. Do not insert or remove the power cord with wet hands.

4. Do not jump or apply severe shock to the foot plate as this may cause incorrect measurement or malfunction.

5. To prevent damage, please use a socket connected to appropriate power supply(100-240VAC). If the socket has several terminals, a socket or extension cable with enough electric capacity should be used.

6. To avoid electrical shock, be sure to avoid contact between this product and other devices.

7. Use caution when raising or folding the stand of the equipment to avoid injury. When the stand is raised, do not touch the joints or any other moving part of the stand. Moving parts may cause injury if care is not taken.

8. Do not dismantle the equipment or open the back cover. Internal parts are not for customer use. If the equipment is dismantled, the warranty is void, and service costs will be charged. If service is required, contact InBody or the supplying agency.

9. Follow local governing ordinances and recycling plans regarding the disposal or recycling of device components.



1. Cross contamination

Individuals with any kind of contagious disease or infection must not use or come in to contact with the foot plate or this product. Please be sure to clean the foot plate with appropriate disinfectant after each use. Never pour any liquid directly on the foot plate, as it may cause internal damage. Use a soft cloth and appropriate ethyl alcohol to wipe off the foot plate. Do not wipe the foot plate with strong chemicals.

2. Test result interpretation and prescription

Do not start weight control or exercise therapy without physician's prescription or expert's advice. Misguided self-diagnosis may harm your health. If you are pregnant, please consult with undertaking physician or expert before use.

3. Other equipment

Please block electromagnetic interferences from other equipment. It may lead to inaccurate test result or error.

4. This product must be installed on a flat and stable floor. If the floor is not level, it may cause harm or incorrect measurement.

5. Make sure you use the AC adapter provided by InBody. Using other AC adapters may cause malfunction of the product.

6. Be careful not to spill or drop any residue(food or beverage) on this product. It may cause serious damage to the electronic components.

7. Do not move during measurement for accurate test results.

8. Be careful not to injure your fingers on the edge of the foot plate when handling the screws.



NOTE

1. Incorrect installation contrary to manual guidelines, or other equipment interference, may cause error or inaccurate test results. To solve the interference problem, you should:

- Separate power supply from the equipment that is causing interference.
- Isolate the equipment.
- Use a power supply committed only to the device.
- Please contact InBody if the problem continues.

2. Excessively high or low temperatures, humidity and pressure may affect the equipment operation and may cause errors. Please use the equipment within the suggested specification range for use.

3. While moving, installing, or using this product, be sure to protect against any physical shock or damage. Always use the packing material and the original shipping box when moving or transporting this product.

4. Repair and examination should be conducted only by InBody's professional Customer Service staff. Please contact InBody if needed.

5. The BSM370 fulfills the Standards of IEC61010-1(EN61010-1), Safety requirements of Electrical Equipment. In addition, the BSM370 complies not only Noise Immunity, but also Noise Emission by the Standard IEC61000(EN61000),Electromagnetic Compatibility Requirements(EMC requirements).





6. The BSM370 has been designed, manufactured, and inspected under the full quality assurance system of InBody. InBody fulfills the international standardization system, ISO 90001 and ISO 13485.

Indicators & Safety Symbols

A. Indicators

RS-232C	9 pin Serial Port, Female (RS-232C)
---------	-------------------------------------

B. Safety Symbols

	Warning /Caution /Note
 12V ~, 3,33A	Adapter
	Power On
	Power Off

Workplace Requirements

A. Operation Environment

Temperature range	10 ~ 40 (50 ~ 104)
Relative humidity	30 ~ 75 %
Atmospheric pressure range	70 ~ 106 kPa
Rated operating altitude	≤ 2000 m
Pollution degree	

B. Transport and Storage Environment

Temperature range	-20 ~ 70 (-4 ~ 158)
Relative humidity	10 ~ 95 % (No condensation)
Atmospheric pressure range	50 ~ 106 kPa

C. Adapter

Power Input	AC 100 – 240 V~, 50/60 Hz, 1.0A
Power Output	DC 12V, 3.33A

Note. The following adapter must be used :

Manufacturer : Li Shin International Enterprise Corp.

AC/DC adapter model : LSE 0107A1240

Input : AC 100-240V~; 50.60Hz;1.0A

Output : DC 12V, 3.33A

This AC/DC adapter complies with UL 60950-1 and was approved.

The power input for BSM370 shall not exceed the marked rating by more than 10%.

Chapter 1. Installation & Maintenance

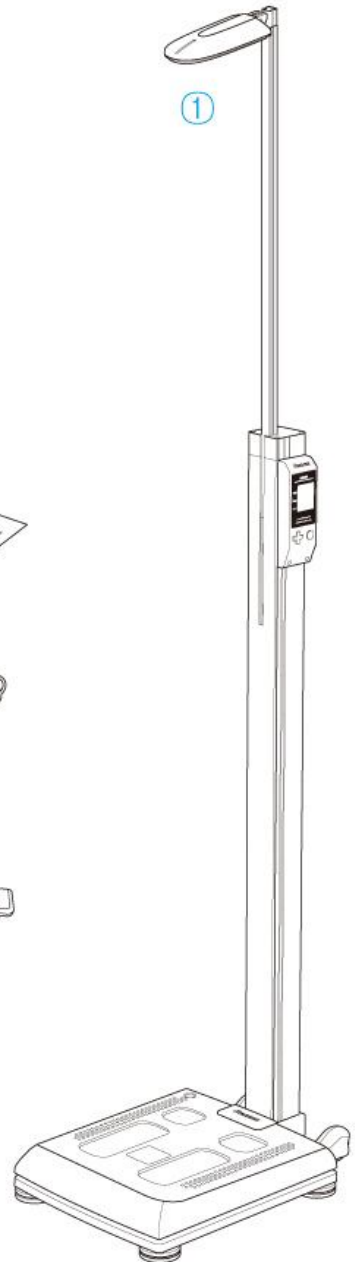
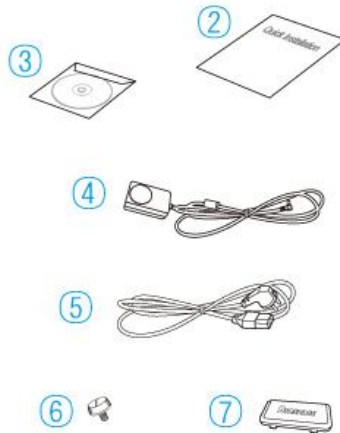
1. Contents of the Box
2. Exterior & Functions
3. Installation Instructions
4. Connecting to Optional Equipment
5. Transportation
6. Repacking
7. Correct Method for Transporting
8. Maintenance

1. Contents of the Box

When opening the box, make sure all of the following items included.

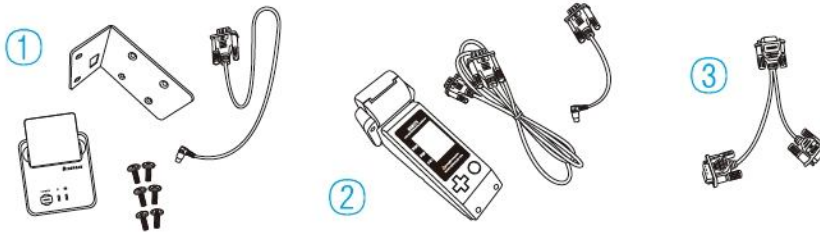
A. Included Items

- BSM370
- Quick Reference
- User's manual CD
- Adapter (12V, 3.33A) 1EA
- Power cord (AC 250V, 10A, 1.8m (5ft. 10in.)) 1EA
- Screw
- Joint cover



B. Optional

Thermal printer 1EA , Thermal printer base , Screw(M4 X8) 6EA, Cable (95cm (3ft. 1in.))
Remote control device, Cable (2m,10cm (6 ft. 7 in., 4 in.))
Y-type cable



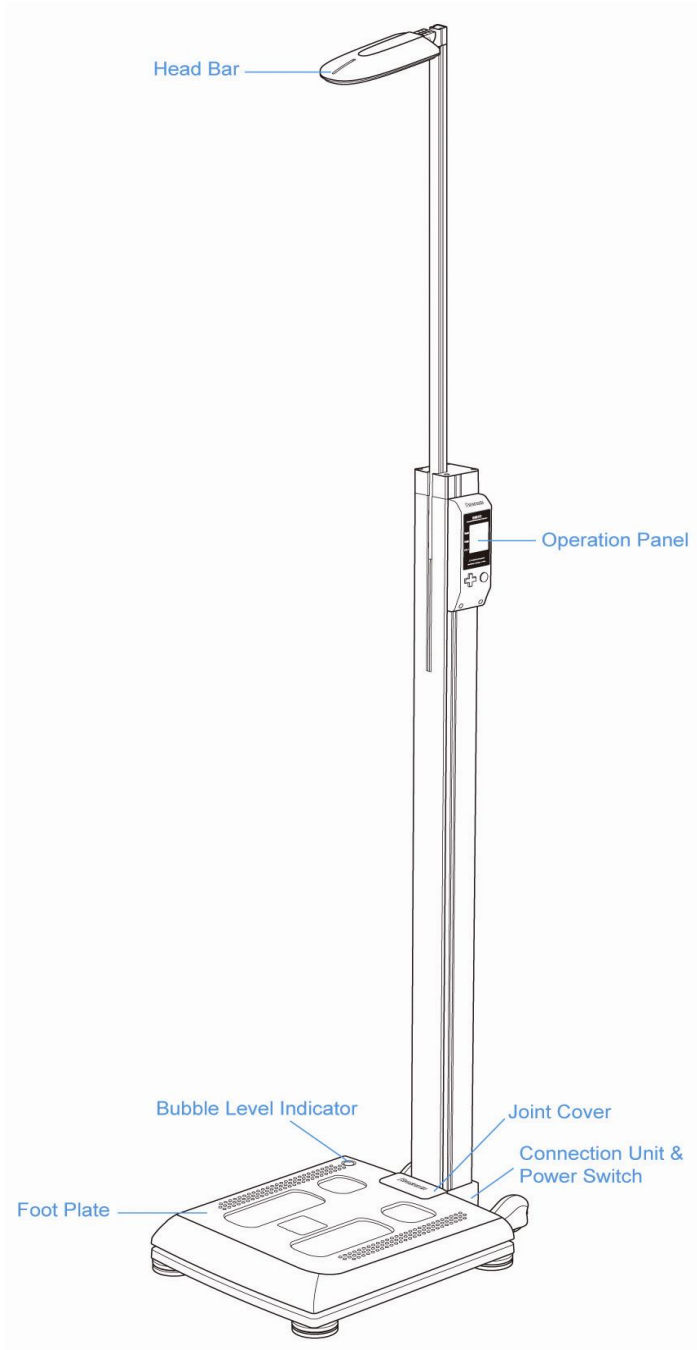
Remote control device is provided attached to the thermal printer.



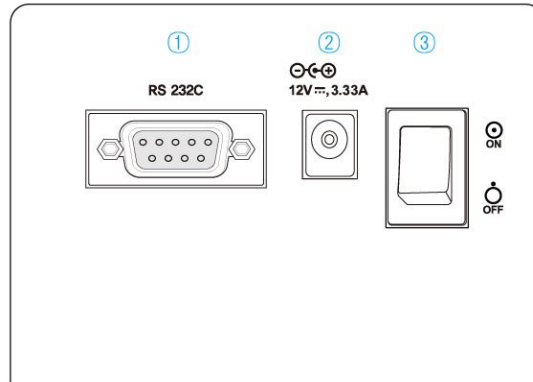
Always use the Y-type cable provided by InBody to ensure proper communication with the InBody and remote control device.

2. Exterior & Functions

Individual part identification and functions with schematic sketches are provided below. Please inspect each component of the BSM370 for damage prior to installation.



A. Connection Unit & Power Switch



9pin Serial Port, Female (RS-232C)

Use to connect thermal printer provided by InBody.

Power Input Port

Use to connect the power adapter.

Power Switch

Power the BSM370 on/off.



Do not dismantle the BSM370. Internal parts are not for customer use and may cause electrical shock. If the BSM370 is dismantled, the warranty is void, and service costs will be charged.



Do not drop any food or liquid on the BSM370. It may affect the electrical parts in the BSM370 or cause damage.



Use only the power cord provided by InBody to connect to the power port.



When using the adapter cable, insert the adapter cable tightly into the BSM370.

3. Installation Instructions

A. Workplace requirements

- (1) Location: Indoor only. This device is for indoor use only.
- (2) Operation environment: 10 ~ 40 (50 ~ 104 °F), 30 ~ 75%RH, 70 ~ 106kPa
- (3) Adapter: Power Input 100-240V ~, 50/60Hz, 1.0A Power Output DC 12V, 3.33A



Please check the height from the ground to the ceiling before installing BSM370. It should be at least as tall as 2156mm (84.9in.) BSM370's height is 2126mm (83.7in.)

B. Note on Unpacking & Assembling

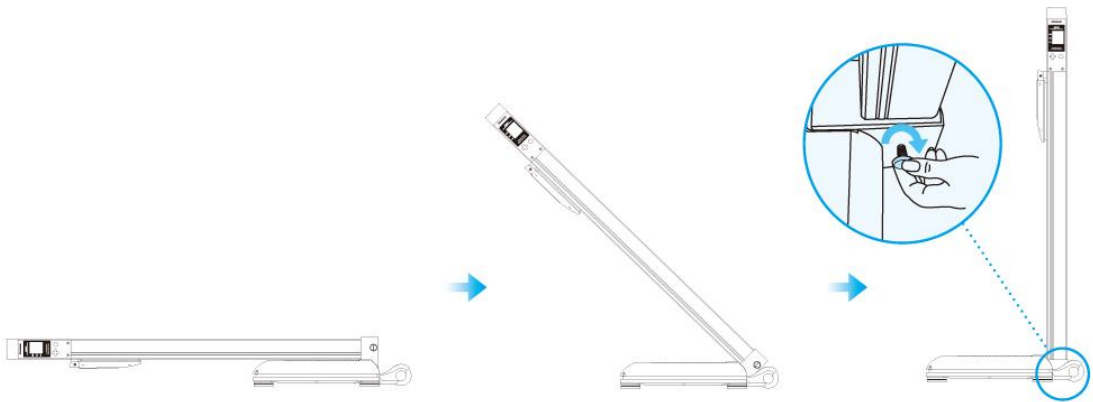
Be sure to read these instructions carefully before assembling.

- (1) Place the BSM370 on a level floor.
- (2) Do not move while holding the head bar or operation panel with LCD.

C. Unpacking & Assembling

(1) When opening the box, check to make sure all the items are included. Place the BSM370 horizontal to the ground.

(2) Raise the stand of the BSM370 carefully until it stands upright. Tighten the joint screw at the base where the stand and foot plate meet.

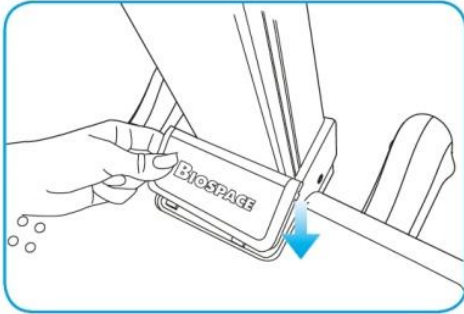


In case of a loose connection between the stand and the foot plate, measurement process cannot be performed properly. Attach the stand perpendicular to the foot plate.

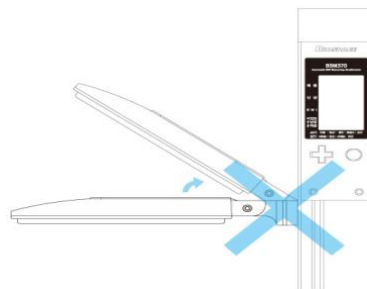
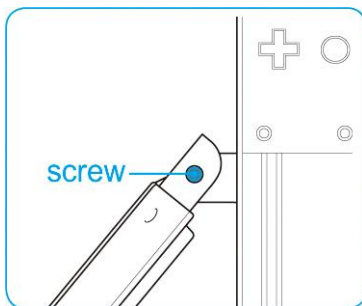
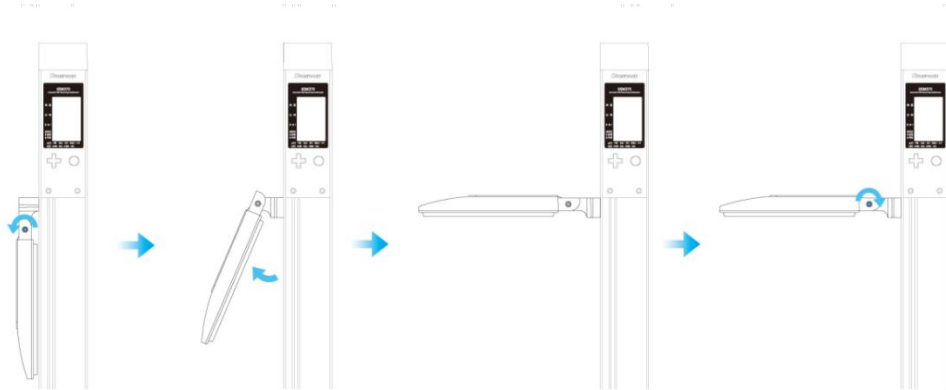


Use caution when handling screws to avoid injury.

(3) After the upper part of the BSM370 is fixed, close the joint cover.



(4) Loosen the screws for the head bar and raise until horizontal with floor. Then tighten the screws.



CAUTION

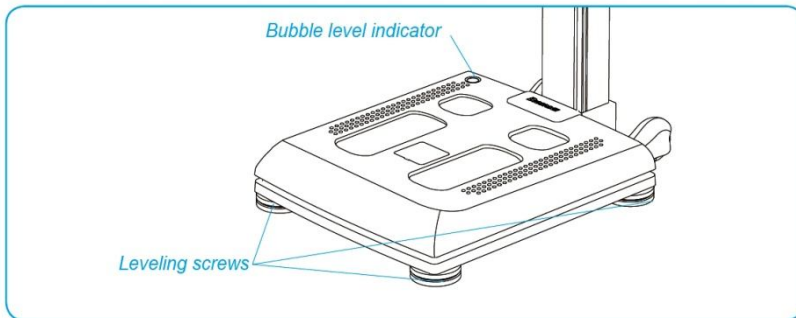
Make sure the screw of the head bar is firmly fixed. If it is not, it can make the height measurement inaccurate. The head bar and the stand should be always at a right angle.



WARNING

To prevent damage, do not lift head bar further than a 90 degree angle.

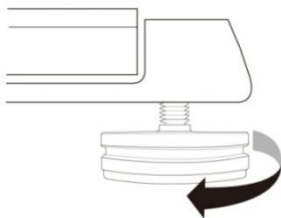
(5) Use the bubble level indicator on the BSM370 to check it is leveled. Use the leveling screws underneath the foot plate of the BSM370 if it is not leveled.



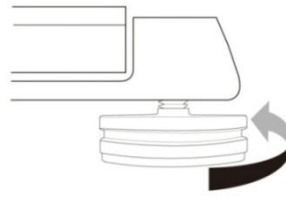
<Unleveled state>



<Leveled state>



<Raise>



<Lower>



NOTE

If the equipment is not horizontally leveled, adjust the leveling screw on the opposite side of the bubble to place it at the center of the level indicator.

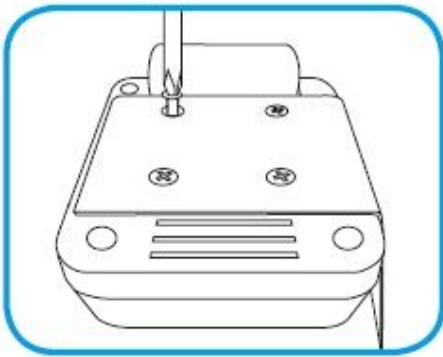
4. Connecting to Optional Equipment

The BSM370 can be used with a thermal printer, a remote control device, and the InBody. You have to check the cable when connecting the optional devices to the BSM370. Please refer to the following pictures and connect the optional devices.

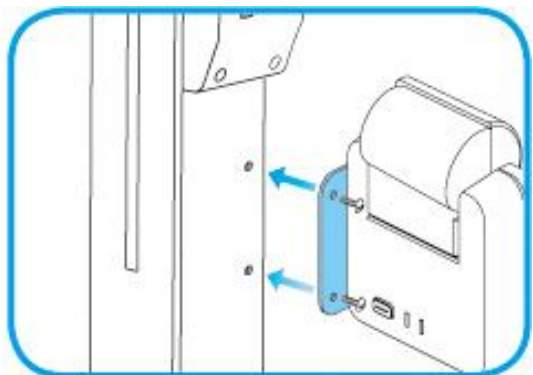
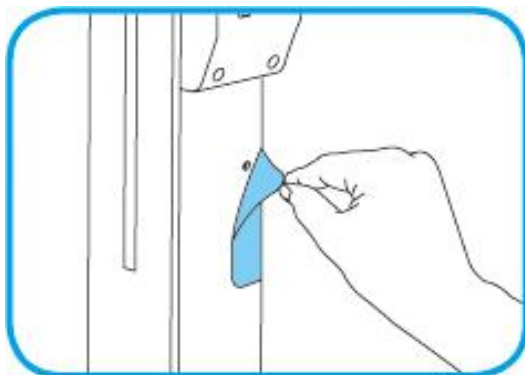
A. When you use thermal printer

Necessary cable: Thermal printer cable

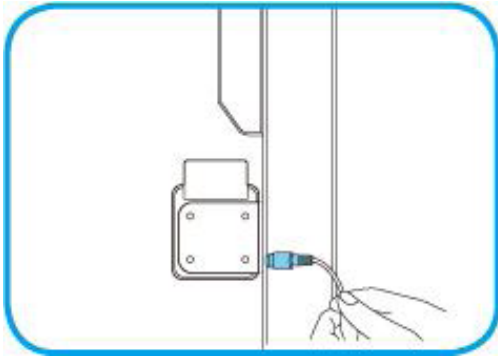
Connect the thermal printer firmly to the thermal printer base. Fasten 4 screws to fix them together.



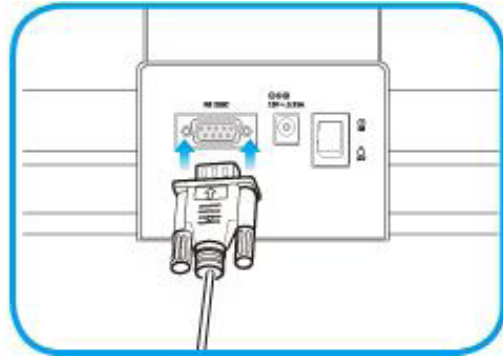
Remove the sticker on the side of the stand. Adjust the thermal printer tray's screw hole to the one of the stand. Screw tightly.



③ Thermal printer cables must be connected in the same manner as shown in the picture.

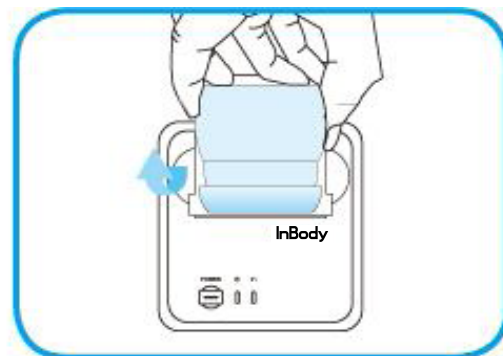
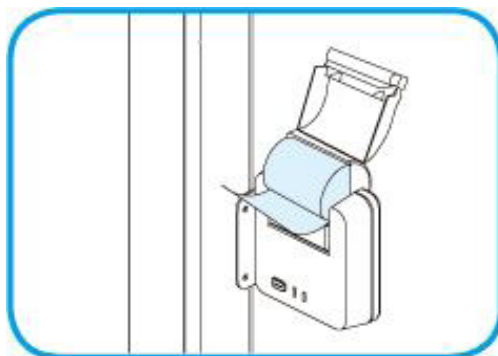


〈rear part of the thermal printer〉



〈rear part of the foot plate〉

④ Place the printer paper as illustrated in the picture. Pull the end of the paper out of the printer by 1cm

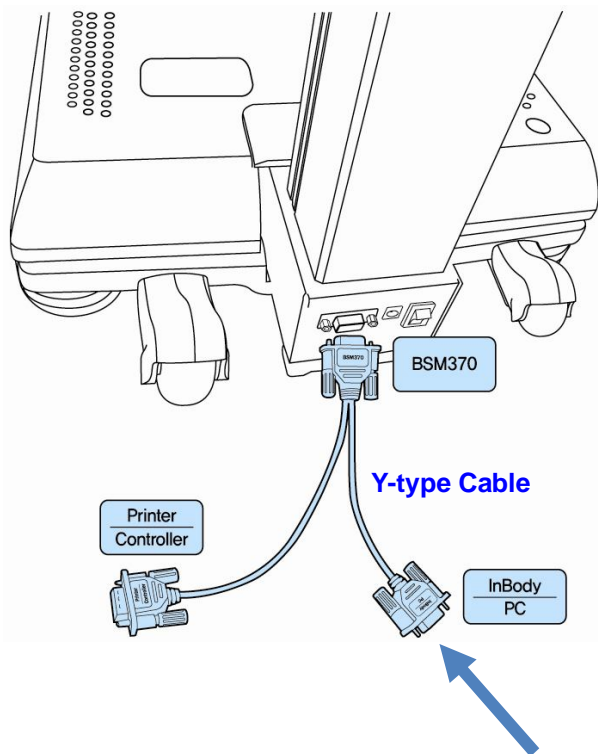


NOTE

Only the thermal printer provided by InBody can be used with the BSM370.

B. When you use InBody

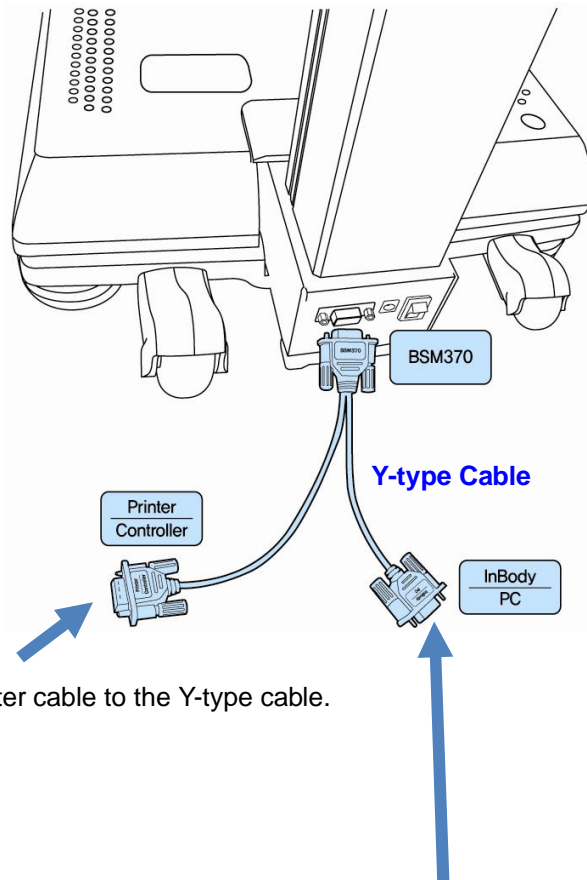
Necessary cables: Y-type cable, RS-232C cable



After connecting the RS-232C cable to the Y-type cable,
Connect the RS-232C cable to the InBody.

C. When you use thermal printer and InBody

Necessary cables: Y-type cable, Thermal printer cable, RS-232C cable

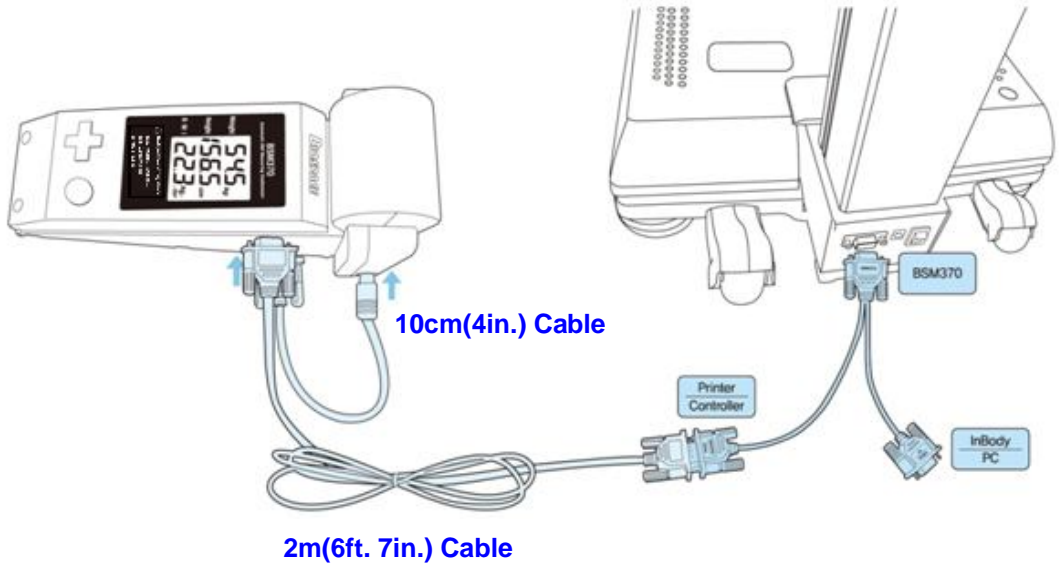


Connect the thermal printer cable to the Y-type cable.

After connecting the RS-232C cable to the Y-type cable,
Connect the RS-232C cable to the InBody.

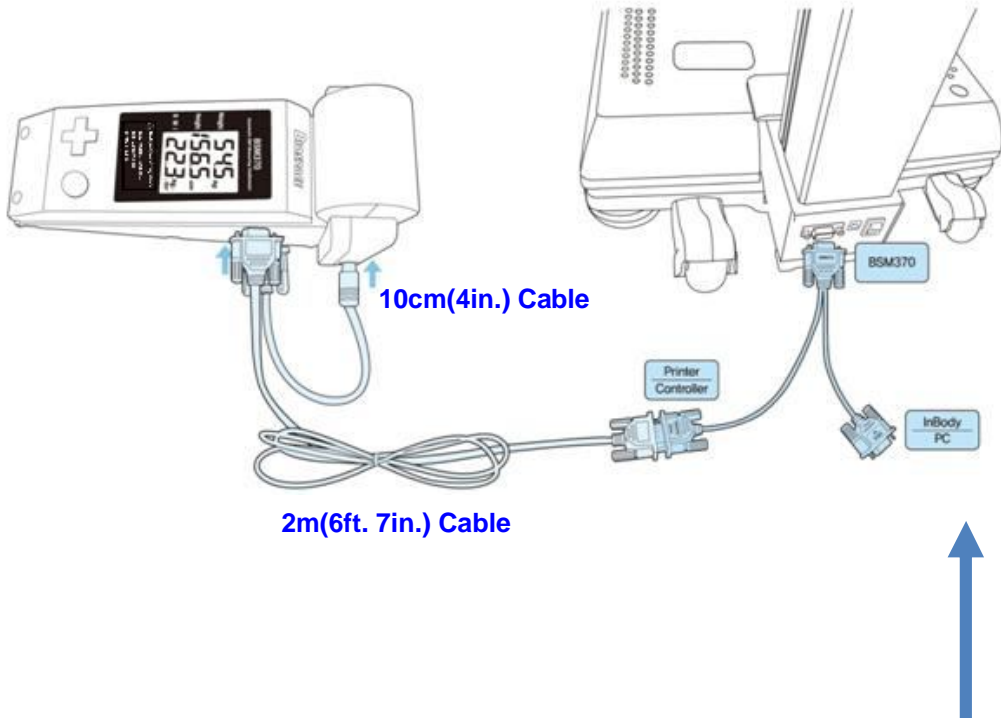
D. When you use remote control device

Necessary cables: Remote control device cable



E. When you use remote control device and InBody

Necessary cables: Y-type cable, Remote control device cable (2m, 10cm (6 ft 7 in, 4 in))
RS-232C cable



After connecting the RS-232C cable to the Y-type cable,
Connect the RS-232C cable to the InBody.

5. Transportation

It is not recommended to move the BSM370 once it is installed. If relocation of BSM370 is necessary, follow the safety precautions.

- (1) Turn the power off and remove the power adapter before moving the BSM370.
- (2) Be careful not to damage the operation parts.
- (3) Adjust the leveling screws on the foot plate to keep the BSM370 level.

A. Environmental Requirements

Transport and Storage environment : -20 ~ 70 (-4 ~ 158), 10 ~ 95%RH
50 ~ 106kPa (No condensation)

B. Transporting Before Installation

Before installation, the BSM370 is shipped a packing box provided by InBody. Use a dolly or cart to move the box or have two people from both sides for safe transportation.



A strong impact or large shock during moving of the BSM370 may cause inaccurate measurements or damage to the unit.

C. Transporting After Installation

It is not recommended to move the BSM370 once properly installed. If relocation of the BSM370 is necessary, repack the BSM370 with original packing material, to keep the BSM370 from being damaged during transportation.

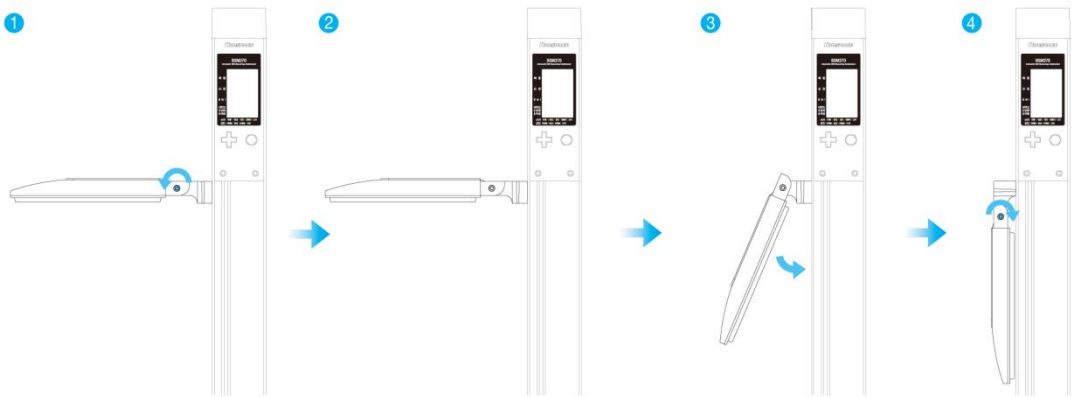


After moving the BSM370, adjust the level of the BSM370 using the bubble level indicator and legs of the BSM370. The level of the BSM370 is crucial to accurate testing.

6. Repacking

Be sure to turn off the power switch and unplug the power cable before repacking. Be careful to avoid severe physical shock, jarring, or other damage while repacking, especially with regard to the head bar and operation panel.

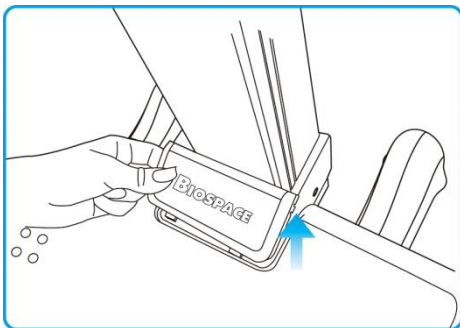
- (1) In the home screen, press ▼ for 3 seconds until you hear a beep. The head bar will go down automatically. Turn off the power switch.
- (2) Remove all cables connected to the BSM370.
(If a thermal printer is attached to the unit, remove the thermal printer first.)
- (3) Unscrew at the head bar side and fold down. Tightly screw the joint.



The head bar is sensitive, do not physically damage the head bar.

CAUTION

- (4) Open the joint cover.



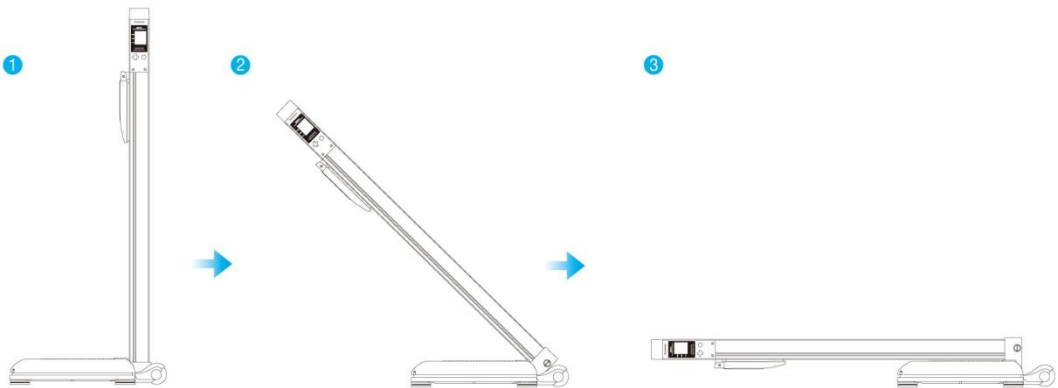
Remove joint cover on the foot step and fold the stand. If the joint cover is not removed before folding the stand, the product can be severely damaged.

CAUTION

(5) Loosen the screw on the foot plate. Slowly fold the stand of the BSM370 carefully.



<side of the foot plate>



Use caution when handling screws to avoid injury. Do not touch the joint part by hand or with any other part of the body. Injury may be caused if contact is made with moving parts.

(6) Put the BSM370 in the box

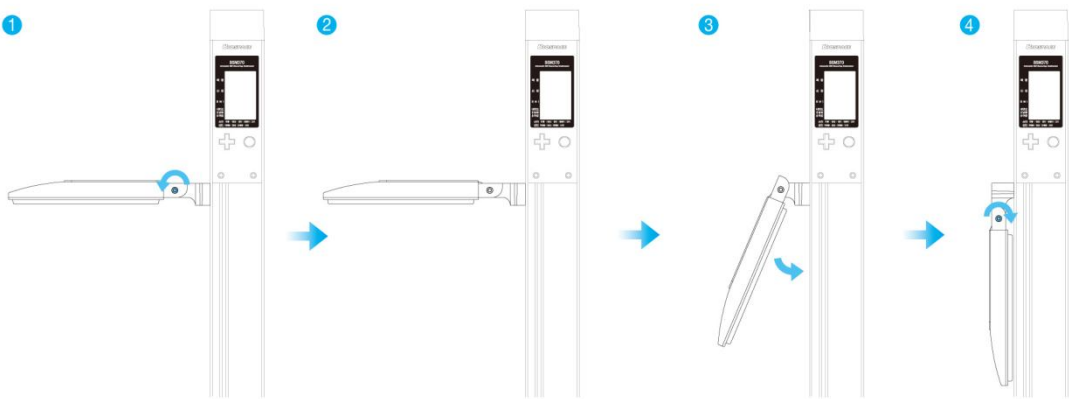
(7) Seal the box with tape.

7. Correct method for Transporting

Shown below is the correct method for transporting BSM370. While moving this product, be sure to protect against any physical shock or damage.

(1) On the home screen, press ▼ for 3 seconds. Head bar will go down automatically. Turn off the power switch.

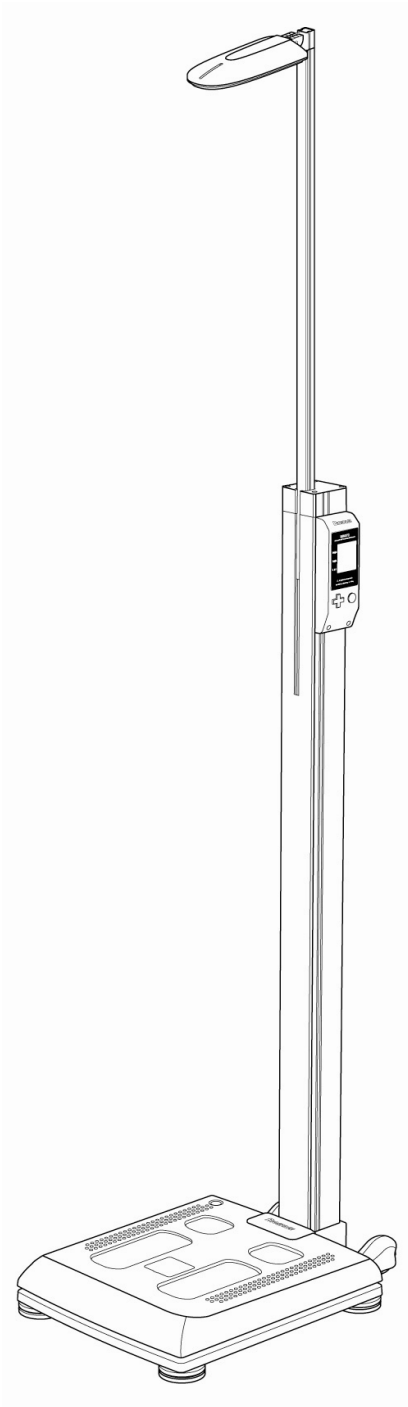
(2) Unscrew the head bar's side and fold down. Tightly screw the joint.



(3) Use the wheels on the foot plate to move the equipment.

8. Maintenance

- (1) Do not dismantle the BSM370 or open the back cover. Internal parts are not for customer use. If the BSM370 is dismantled, the warranty is void, and service costs will be charged. If service is required, contact InBody or the supplying agency.
- (2) Do not place anything on the foot plate or apply any pressure when the BSM370 is not in use.
- (3) When the BSM370 is not in use for a period longer than one day, unplug the adapter.
- (4) Do not move or relocate the BSM370 while the power is on.
- (5) Do not drop any food or liquid on the BSM370. It may affect the electrical parts in the BSM370 or cause damage.
- (6) Once a week, wipe the exterior sides of the BSM370 with a dry towel. In particular, clean the LCD monitor, **using care to not scratch the surface.**
- (7) Follow local governing ordinances and recycling plans regarding the disposal or recycling of device components.
- (8) Lithium coin-cell battery is included in the "Operation panel". This battery must be replaced only by Service Personnel. Be cautious there is a risk of explosion if battery in the operation panel is replaced by an incorrect type.



This operation panel includes lithium coin-cell battery.



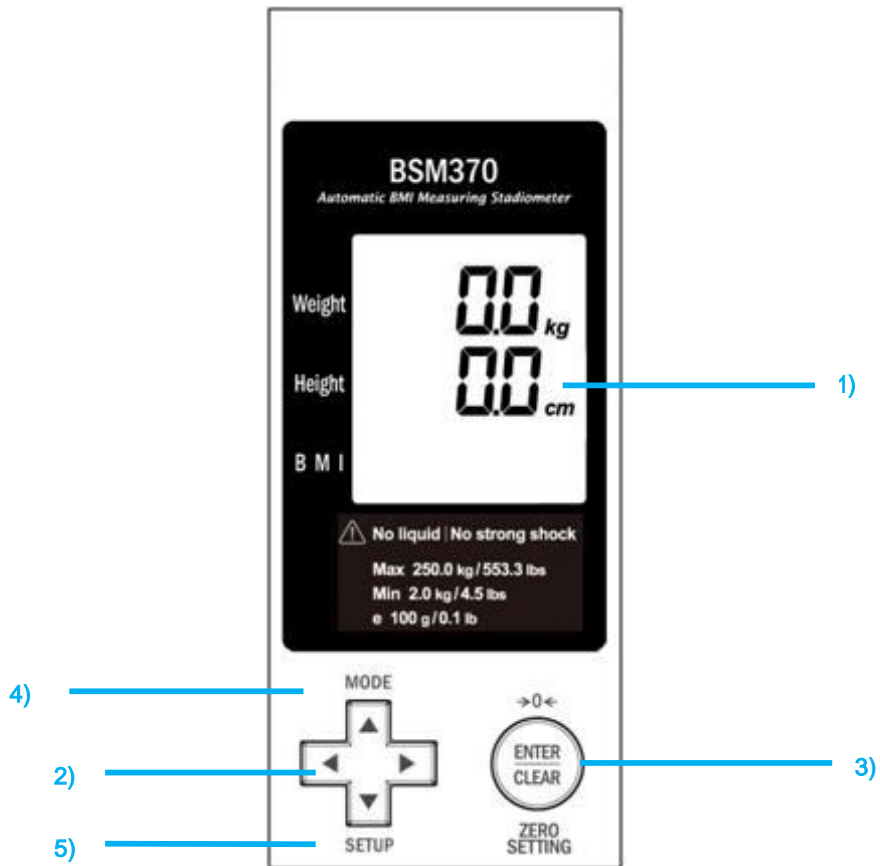
Only for service personnel.

Risk of Explosion if battery in the operation panel is replaced by an incorrect type.

Chapter 2. Management & Results Description

1. Exterior and Functions of Keypad
2. Connecting Power
3. Proper Posture
4. Measurement Mode
5. Results

1. Exterior and Functions of Keypad



1) LCD Monitor

The monitor displays message or test results.

2) Direction Button

The directional buttons consist of up, down, left and right.

This button is used when set for measurement mode or setting up the BSM370.

3)  ENTER/CLEAR Button

ENTER : This button is used to store modified values at setup menu.

CLEAR: Pressing this button to erases the result data on LCD right after test completion.

Press it for 1 sec to return to the home screen.

Zero point adjustment : Press this button for a second until you hear beep to adjust zero point automatically.

4) MODE(▲) Button

This is to select measurement mode.

5) SETUP(▼) Button

Use the SETUP button to set up the BSM370.

6) (▲) (▼) Button

This is to move the head bar up and down.

Press ▼ Button for 3 seconds until you hear the beep. The head bar will move down automatically. On LCD, you will see 'OFF'.

To turn on the equipment, press ▲ button for 3 seconds until you hear the beep. The head bar will move up as far as it can go up. On LCD, you will see 'ON'.

2. Connecting Power

(1) Connect the BSM370 power adapter behind the foot plate.



Make sure you use the power adapter provided by InBody, and the power cable provided by InBody.

(2) Turn on the power switch. The head bar of BSM370 will automatically raise after turning the device on.



Be careful not to put any weight on the foot plate. If you step on the foot plate or place a heavy object on the foot plate, it will disrupt calibration and measurements will not be accurate.



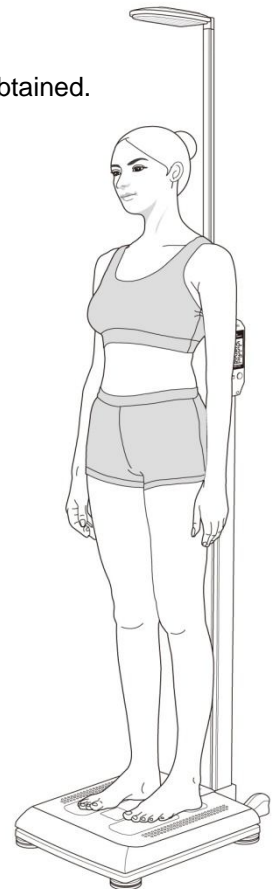
When pressure or weight is applied to the foot plate during self-calibration, **Load!** message appears. Turn the BSM370 off and on again after removing the material from the foot plate.

3. Proper Posture

Observing the following methodology is essential to achieving reliable results and accuracy. Keep the following instructions in mind during testing.

As you can see in the picture below, the proper posture for measurement is standing straight and having your arms and legs spread naturally. Remove heavy clothing and accessories in order to achieve an accurate weight measurement.

- (1) Step on the foot plate and position your back towards the stand.
- (2) Stand up straight and do not lean on the stand.
- (3) Maintain erect posture until measurement is complete and results are obtained.



WARNING

Physically disabled persons or children should receive assistance when measuring on the BSM370 in order to obtain accurate results and avoid injury.



NOTE

Leaning on the stand will incorrectly distribute weight, causing results to be inaccurate. Do not lean on the stand during measurement.

4. Measurement Mode

Press the 'MODE' button in the home screen. Using ▲, ▼, ←, → buttons, select the desired mode. When finished, press 'ENTER' to save. You will return to the measurement home screen.

Weight: Weight measurement mode

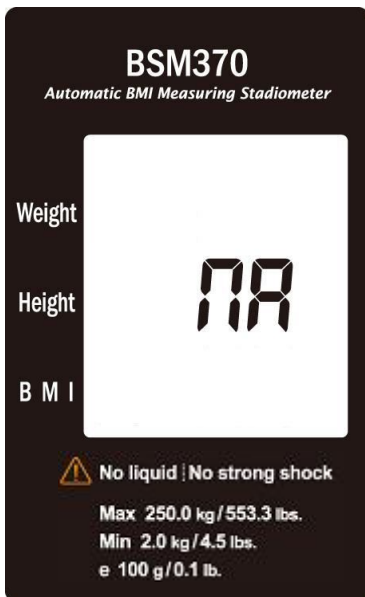


00 : When the examinee steps on the foot plate, the screen shows the weight. When the examinee steps down from the foot step, the test result will be displayed. When the test result disappears, it is ready for re-test.

Height : Height measurement mode



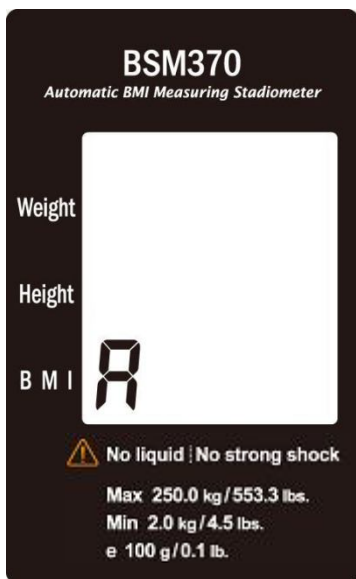
R : When the examinee steps on the foot plate, the height is automatically measured.



RR : When the examinee steps on the foot plate, you can measure height by pressing the 'ENTER' button.

BMI : Weight and Height measurement mode

After weight and height are measured, the screen will show the measured height, weight, and the calculated BMI.



A : When the examinee steps on the foot plate, the weight and height are automatically measured.



NR : When the examinee steps on the foot plate, the weight is automatically measured. You can measure height by pressing the 'ENTER' button.



The default measurement mode is set as BMI **A** when the system leaves the factory.

5. Results

A. Weight, Height, BMI results screen

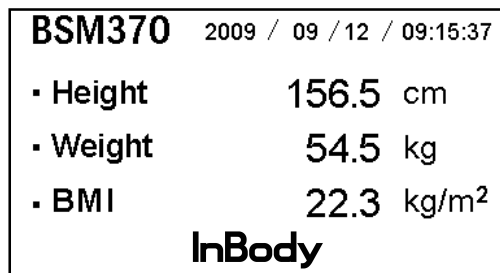
When the test completes, the test result displays on LCD screen.

The examinee can check the test result on LCD while he or she is on the foot plate.

When the examinee steps down from the foot plate, the BSM370 will return to the home screen, which is also the stand-by screen before measurement. Please see the example below when it is set for BMI R automatic measurement mode.



<Results Screen>



<Thermal Printer Paper>



Customers in the US will be provided the lb/in version of the LCD and result paper.

NOTE

The BSM370 provides the following information through the analysis results screen.

- 1) Weight
- 2) Height
- 3) BMI

B. Output items

BMI (Body Mass Index, kg/m²)

Body Mass Index is a convenient way of assessing the degree of obesity. BMI is determined using only weight and height.

Formula **BMI = weight (kg) / height² (m²)**

Determination 1) WHO Standard

European weight classification based on the BMI method (WHO, 1998)

BMI(kg/m ²)	Classification		Diagnosis
<18.5	Underweight	Under	Infectious disease, malnutrition related disease
18.5~24.9	Normal	Standard	Least risk at most disease
25.0~29.9	Overweight	Over	May cause health problem
30.0~34.9	Obese1		Increase of the risk of cardiac disease, high blood pressure, diabetes, etc
35.0~39.9	Obese2		
>40		Severely Obese	

Ref. WHO and the National Heart, Lung, and Blood Institute : clinical guidelines on the identification, evaluation, and treatment of overweight and obesity in adults, the evidence report. June 1998, xiv

Determination 2) Asian-Pacific Standard

BMI(kg/m ²)	Classification	Diagnosis
<18.5	Underweight	Low (high risk of other clinical disease)
18.5~22.9	Normal	Average
>23	Overweight	
23.0~24.9	Risky Overweight	Increased
25.0~29.9	Obese step1	Moderate
>30	Obese step2	Severe

Ref. Korean Society for the Study of Obesity, chapter 2. Redefining and Evaluation, The Asian-Pacific perspective: Redefining Obesity and its Treatment: 1st edition, Korean Society for the Study of Obesity, 2001, p10.

Chapter 3. Setup Establishment

1. Setup
2. Setup Menu

1. Setup

The BSM370 functions to modify the setting for a user's preference. The setup menu consists of weight offset, unit and date & time.

Press the BSM370 'SETUP(▼)' button bring up the following screen. If you want to save the changes, press the 'ENTER' button.



- 1) Press the 'SETUP(▼)' button.
- 2) Press the direction buttons (,) to select area to modify.
- 3) Modify using direction buttons(▲,▼).
- 4) When you are finished with the modification, press the 'ENTER' button.

2. Setup Menu

A. Weight Offset

Press the BSM370 'SETUP(▼)' button to bring up the following screen. It is possible to adjust weight offset value. If weight adjustment is needed due to clothes or accessories, use the direction buttons(▲, ▼) to select the desired offset value.

(Calibration range: 0.0lb. ~ 9.9lbs., step : 0.1lb. or 0.0kg ~ 5.0kg, step: 0.1kg)



B. Unit

Press the ' ' button to advance from the weight offset screen.

Use the direction buttons(▲, ▼) to select the unit to be used for height and weight.

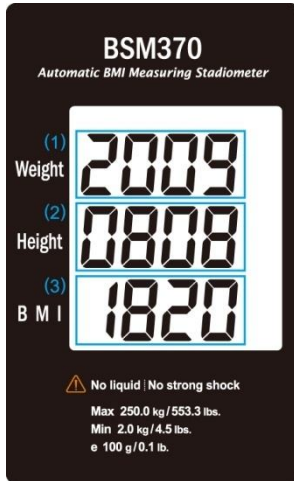
(kg/cm, lb./in.)



C. Date & Time

Press the ' ' button to advance from the unit screen.

Use the direction buttons(▲,▼) to set the date and time.



- (1) Set the current year.
- (2) Set the current month and date.
- (3) Set the current hour and minute.

D. Speed

Press the ' ' button to advance from the Date & Time screen.

Use the direction buttons(▲,▼) to set the speed.



F25t : Height measurement starts four seconds after the weight measurement regardless of user's movement.

nor. : Height measurement starts when a user stand still in stable position.

Chapter 4. Problems & Solutions

1. Error Messages
2. Troubleshooting

1. Error Messages

The BSM370 displays the following error messages to warn the user of the problems that may occur during operations and to guide the users to take steps. The following are the most common error messages and the steps to handle the corresponding errors.

Error Message		Troubleshooting
Cod 1	When pressure or weight is applied to the foot plate during self-calibration, this message appears.	Turn the BSM370 off and on again after removing the material from the foot plate.
Cod 2	This message appears when the examinee's weight is out of range. (Weight range :10kg ~ 250 kg(22 ~ 551lbs.)	Please check the weight measurement range.
Cod 3	This message appears when adjusting zero point and foot plate weight is measured (0 kg ~ 2.1 kg (0~4.4lbs.)load). When the following message is displayed on LCD, semi-automatic zero point adjustment is not available. The above is the message on LCD.	Turn the BSM370 off and on again after removing the material from the foot plate.

This message appears when BSM370 has detected a problem that a user cannot solve. In this case, the height can be measured but the measured data may be incorrect. If you still have the problem after taking the following steps, contact the local distributor or InBody. For more contact information, please refer to page 37.

Error Message	Troubleshooting
Err 1	When the extensimeter is warming up, this message appears if the photo sensor is not working normally.
Err 2	When the extensimeter is warming up, this message appears if the data memory is not working normally.
Err 3	
Err 4	
Err 5	This message appears when top photo sensor is not working normally.
Err 6	This message appears when the bottom photo sensor is not working normally.
Err 7	This message appears when the photo sensor is not working normally under height calibration.

2. Troubleshooting

If you still experience the problem after taking the following steps, contact the local distributor or InBody. For more contact information, please refer to page 37.

A. The BSM370 does not seem to run, even if the power switch is on.

(In a normal situation, a signal sounds and the LCD is turned on.)

Cause 1 The plug is not pushed all the way into the electrical outlet.

Action 1 Push the plug all the way into the electrical outlet.

Cause 2 Power strip is not turned on (when using a surge protector) or the power does not flow into extension.

Action 2 Check if the power flows into the extension and the electrical outlet where the extension is connected.

Cause 3 When an adapter not provided by InBody is used.

Action 3 Only use the adapter provided by InBody.

Cause 4 Adapter is not tightly inserted into the BSM370.

Action 4 Insert the adapter into the power input port tightly.

B. The measured weight value seems very low, or shows a negative value.

Cause 1 The weight sensor (loadcell) calibration malfunctioned during the self-calibration.

Action 1 Turn off the power of the BSM370, then turn it on again. Allow the unit to perform the self-calibration process again with no weight on the foot plate. The loadcell will be set to 0 kg during self-calibration. Keep in mind, even a small amount of weight affects the calibration negatively.

Action 2 Press 'ENTER' button for zero setting.

C. The thermal printer paper is not printing.

Cause 1 Occurs when the printer cable is unplugged.

Action 1 Ensure the cable is connected tightly to the BSM370. Occasionally this may occur as the result of a bad cable. In this case, you must replace the cable.

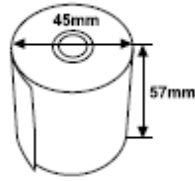
Chapter 5. Consumables

1. Consumables
2. Options
3. Specifications
4. Customer Service Information

1. Consumables

Roll of Thermal Printer Paper

Size : Width 57mm (2.24in.)
External diameter 45mm (1.77in.)



Only use the thermal printer paper provided by InBody.

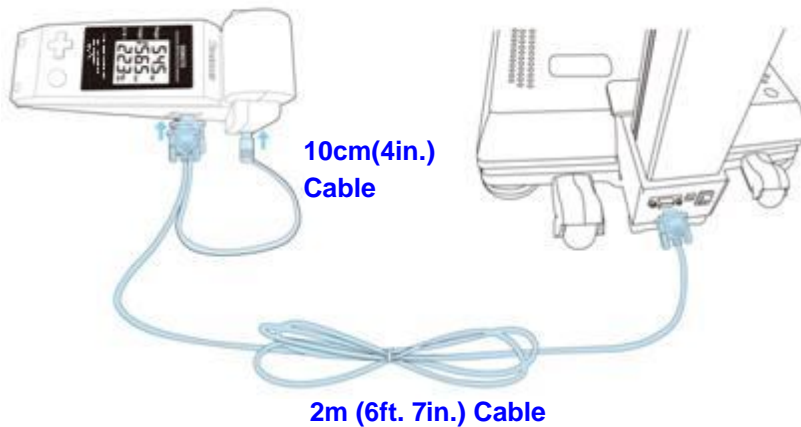
2. Options

A. Thermal Printer

Only the thermal printer provided by InBody can be used with the BSM370. The thermal printer should be connected to the serial port. Please contact InBody or the local distributor of InBody for further information.

B. Remote control device

You can operate the equipment remotely by connecting the remote control device to BSM370 with 2M cable.



Remote control device is sold separately.



Remote control device is provided with attached thermal printer.

3. Specifications

q Key Specifications

Measurement Item	Height, Weight, BMI
Height Range	90 ~ 200cm(2ft. 11.4in. ~ 6ft. 6.7in.)
Error Range	± 1mm
Weight Range	10 ~ 250kg(22 ~ 551lbs.)

q Features Specifications

Display Type	Customized LCD
Zero Setting	Automatic zero setting during warming up
Measurement Mode	Weight and Height / Weight only / Height only
Height Measurement	A (Measure height after weight measurement)
	NA (Press ENTER button after measuring weight to measure height.)
Weight Offset	Unit: 0.1kg, from 0.0kg to 5.0kg
	Unit: 0.1lb., from 0.0lb. to 9.9lb.
Unit	Available to choose 'kg/cm' and 'lb./in.'
Portability	Foldable height measuring part Attaching wheels for carrying easily
Optional Device	Remote control device, Thermal printer

q Other Specifications

Adapter	Power Input	AC 100-240V~, 50/60Hz, 1.0A
	Power Output	DC 12V, 3.33A
External Interface	RS-232C 1EA	
Printer	Thermal printer (Optional, the printers recommended by InBody)	
Dimension	When Head bar is down : 380(W) X 510(L) X 1350(H) mm 15(W) X 20(L) X 53.1(H) inch	
	When Head bar is up : 380(W) X 510(L) X 2126(H) mm 15(W) X 20(L) X 83.7(H) inch	
Machine Weight	15.5kg(34lb.)	
Measurement Duration	Weight, Height Measurement : 7 sec.	
	Weight Measurement : 2 sec.	
	Height Measurement : 5 sec. (standby time 2 sec.)	
Operation Environment	10 ~ 40 (50 ~ 104), 30 ~ 75%RH, 70 ~ 106kPa	
Transport and Storage Environment	-20 ~ 70 (-4 ~ 158), 10 ~ 95%RH 50 ~ 106kPa(No condensation)	

* Specifications are subject to change without prior notice.

4. Customer Service Information

InBody Co., Ltd. [HEAD OFFICE]

InBody Bldg., 54, Nonhyeon-ro 2-gil, Gangnam-gu, Seoul 135-960 KOREA

TEL: +82-2-501-3939 FAX: +82-2-578-2716

Website: <http://www.inbody.com>

E-mail: info@inbody.com

InBody [USA]

13850 Cerritos Corporate Dr., Unit C, Cerritos, CA 90703, USA

TEL: +1-323-932-6503 FAX: +1-323-952-5009

Website: <http://www.inbodyusa.com>

E-mail: info@inbodyusa.com

InBody Japan Inc. [JAPAN]

Tani Bldg., 1-28-6, Kameido, Koto-ku, Tokyo 136-0071 JAPAN

TEL: +81-3-5875-5780 FAX: +81-3-5875-5781

Website: <http://www.inbody.co.jp>

E-mail: inbody@inbody.co.jp

EU Representative. [EUROPE]

DongBang Acuprime. 1 Forrest Units, Hennock Road East, Marsh Barton, Exeter EX2 8RU, U.K

TEL: +44-1392-829500 FAX: +44-1392-823232

Website: <http://www.inbody.com>

E-mail: info@acuprime.com

Biospace China. [CHINA]

904, Xing Di Plaza, No. 1698 Yishan Road, Shanghai, 201103, CHINA

TEL: +86-21-64439738, 9739, 9705 FAX: +86-21-64439706

Website: <http://www.biospacechina.com>

E-mail: info@biospacechina.com

Australian Sponsor. [AUSTRALIA]

Emergo AUSTRALIA. Level 20, Tower II, Darling Park, 201 Sussex Street, Sydney, NSW 2000, AUSTRALIA

TEL: +61-2-9006-1662 FAX: +61-2-9006-1010

Website: <http://www.emergogroup.com>

E-mail: Sponsor@emergogroup.com